

MPW

WALL TERMINAL UNIT



	Cooling	Heating
MPW 1	1.24 kW	1.72 kW
MPW 2	1.67 kW	2.38 kW
MPW 3	3.17 kW	4.50 kW
MPW 4	3.67 kW	5.50 kW

CE MARKING

This product marked CE conforms to the essential requirements of the Directives :

- Low voltage no. 2006/95/EC,
- Electromagnetic Compatibility no. 89/336 EEC, modified 92/31 and 93/68 EEC.



SUMMARY

1 - Presentation	2
2 - Technical characteristics	3
3 - Physical characteristics	4
4 - Description	4
5 - Accessories	5

1 - PRESENTATION

1.1 - UTILISATION

- Units intended for climate control in buildings and the comfort of people.
- Do not place the device in rooms with high humidity or exposed to projections of water.

1.2 - FUNCTIONS

- Cooling or heating by means of a 2-pipe water coil.
- Ventilation with filtration (built-in filter).
- Heating by electric element (model BE).

1.3 - APPLICATIONS

- These units, derived directly from direct expansion models, are characterized by:
 - attractiveness,
 - compactness (using unused spaces),
 - a low sound level.

1.4 - MODELS

- "2-pipe" for all sizes, with wire or infrared remote control: MPW B 5B and MPW B 5X.
- "2-pipe + electric heating" (with electric heating element) for MPW 1 with wire remote control only: MPW 1 BE 5B.

2 - TECHNICAL CHARACTERISTICS

2.1 - NOMINAL CONDITIONS

Model				MPW 1 B	MPW 1 BE	MPW 2 B	MPW 3 B	MPW 4 B
Total cooling capacity	(1)	HS	kW	1.24	1.24	1.67	3.17	3.67
		MS	kW	---	---	---	2.53	3.14
		LS	kW	0.8	0.8	0.96	1.91	2.62
Sensible cooling capacity	(1)	HS	kW	0.94	0.94	1.3	2.56	3.01
		MS	kW	---	---	---	1.89	2.50
		LS	kW	0.58	0.58	0.74	1.53	2.12
Heating capacity	(2)	HS	kW	1.72	1.72	2.38	4.50	5.50
		MS	kW	---	---	---	3.50	4.50
		LS	kW	1.11	1.11	1.49	2.70	3.70
Electric heating capacity			kW	---	0.5	---	---	---
Air flow rate	HS		m ³ /h	220	220	270	510	710
			m ³ /s	0.061	0.061	0.075	0.142	0.197
	MS		m ³ /h	---	---	---	400	580
			m ³ /s	---	---	---	0.111	0.161
	LS		m ³ /h	150	150	180	320	470
			m ³ /s	0.042	0.042	0.05	0.089	0.131
Water flow rate in cooling	HS		l/h	215	215	290	545	630
	MS		l/h	---	---	---	435	540
	LS		l/h	135	135	165	330	450
Pressure drop on water in cooling in the appliance (10 kPa = 1 m WG)	(1)	HS	kPa	16.1	16.1	27.2	29.4	35.1
		MS	kPa	---	---	---	19.1	26
		LS	kPa	5.8	5.8	9.7	10.3	18.2
Pressure drop on water in heating	(2)	HS	kPa	15.3	15.3	26.2	27.5	31.8
Power supply			V/f/Hz	230/1/50	230/1/50	230/1/50	230/1/50	230/1/50
Max. power consumption			kW	0.025	0.525	0.025	0.075	0.080
Max. current consumption			A	0.11	2.3	0.11	0.33	0.36
Hydraulic connection				1/2" Gaz female	1/2" Gaz female	1/2" Gaz female	1/2" Gaz female	1/2" Gaz female
Sound power level	HS		dB(A)	41	41	45	58	59
	MS		dB(A)	---	---	---	52	53
	LS		dB(A)	32	32	35	46	48
Calculated sound pressure (at 2 m indoors)	HS		dB(A)	32	32	36	49	50
	MS		dB(A)	---	---	---	43	44
	LS		dB(A)	23	23	26	37	39

(1) Air inlet: 27°C (DB) / 19°C (WB); water: inlet at 7°C, outlet at 12°C.

(2) Air inlet: 20°C; water inlet: 50°C (same flow-rate as under other conditions (1)).

2.2 - OTHER CONDITIONS

• Consult us.

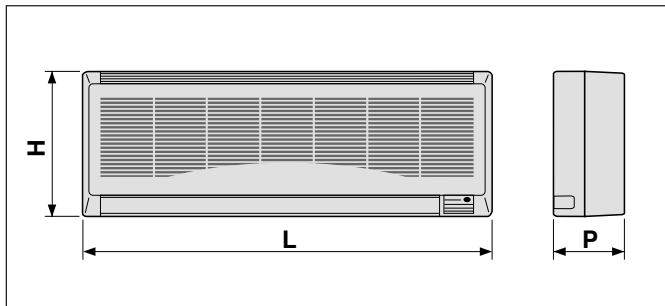
• **Operating limits:**

- Minimum water inlet temperature : 4°C.
- Maximum water inlet temperature : 60°C.
- Maximum operating pressure of the hydraulic circuit: 16 bar.
- Minimum air recirculation temperature : 5°C.
- Maximum air recirculation temperature : 32°C.

3 - PHYSICAL CHARACTERISTICS

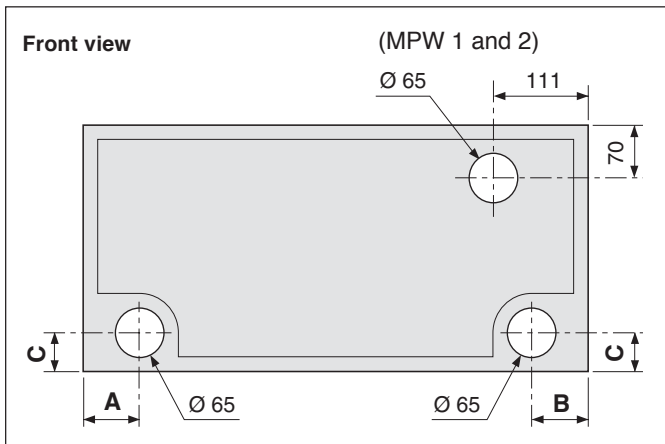
• **Materials:**

- Wall metal support.
- Plastic body.
- Copper/aluminium exchanger.
- Copper piping.



			MPW 1	MPW 3
			MPW 2	MPW 4
Overall dimensions	L	mm	805	995
	H	mm	270	285
	P	mm	177	237
		Weight	kg	
			8	12
Overall packed dimensions	L	mm	850	1070
	H	mm	330	360
	P	mm	245	290
	Weight	kg	10	15

• **Tubes may be configured for output at the rear of the unit.**



	MPW 1 MPW 2	MPW 3 MPW 4
A	50	135
B	90	135
C	41	45

4 - DESCRIPTION

Model	MPW 1 B	MPW 1 BE	MPW 2 B	MPW 3 B	MPW 4 B
Copper/aluminium thermal exchanger	●	●	●	●	●
Number of rows	2	2	2	2	2
Frontal surface area	m² 0.095	0.095	0.115	0.156	0.156
Water capacity	litres 0.3	0.3	0.39	0.8	0.8
Hydraulic connection	1/2" Gaz female	1/2" Gaz female	1/2" Gaz female	1/2" Gaz female	1/2" Gaz female
Electrical motor with internal thermal protection	●	●	●	●	●
Power supply	230 V / 1 + Earth / 50 Hz				
Number of speeds	2	2	2	3	3
Capacitor	µf 0.6	0.6	1	0.8	1.5
Tangential fan	●	●	●	●	●
Air filter in class HB polypropylene (UL94) - Washable	●	●	●	●	●
Flexible connection tubes	●	●	●	●	●
Condensate drain pan expanded polystyrene, supplied with drainage hose	●	●	●	●	●
End fitting OD	mm 18	18	18	18	18
Power supply cable , length: 2.50 m	●	---	●	---	---
Wire remote control version	●	●	●	●	●
Infrared remote control version	●	---	●	●	●

5 - ACCESSORIES

5.1 - ACTIVE CARBON FILTER

- Code **397021909** for MPW 1 and 2.
- Code **397021910** for MPW 3 and 4.

5.2 - 3-WAY VALVE + BY-PASS

- Code **70600071**
 - 1/2" Gaz male.
 - KVS 1.6.
 - "On/Off" motor 230 VAC.
 - To be assembled outside the unit.

Note: The valve is supplied without connection or tube.

- This valve kit can be mounted on all models **and is obligatory for cold water use**.
- If this valve is not installed, there is a risk of condensation forming on the machine when it is switched off by the thermostat.

5.3 - REMOTE CONTROLS (for the wire remote control version)

Model	MPW B	MPW BE	
		2-pipe Cooling + electric heating	2-pipe Heating/Cooling + electric heating
70250076 Manual remote control	●	● (*)	---
70250051 RCC 10 automatic remote control for 2-pipe units	●	---	---
70250052 RCC 20 automatic remote control for 2-pipe units + electrical resistance	---	● (*)	●
70250053 Change/over sensor with bracket for RCC	●	●	●
70250054 Air temperature sensor in box for RCC	●	●	●

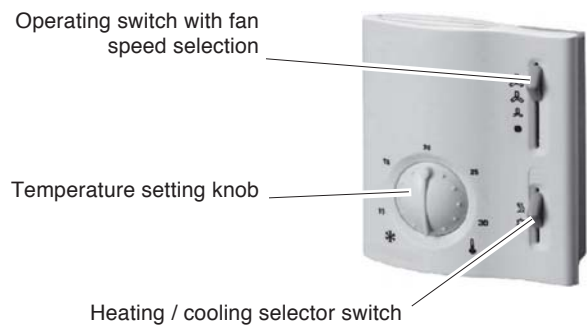
Note: "On-Off" action on valve, 230 VAC (accessory) or action on ventilation.

(*) **Caution:** The configuration "2-pipe Cooling + Electric heating" requires a valve.

A - MANUAL REMOTE CONTROL

- Code **70250076**.
- The operating mode is selected **manually** by a switch on the front of the control unit.

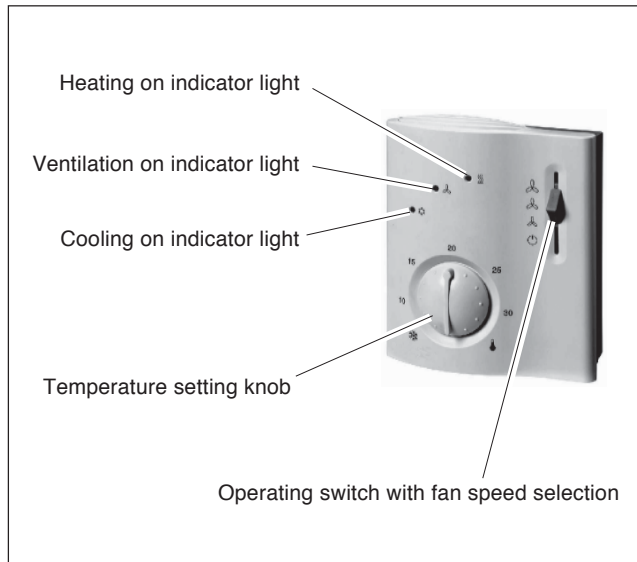
- Technology : electromechanic.
- Power supply : 230 Vac
- Set-point adjustment range: 8 / 30°C (possibility of mechanical limitation by jumpers on the knob)
- "On-Off" action
- Control differential : $\leq 1^{\circ}\text{K}$
- Operating temperature : 0 / 50°C
- Relative humidity : < 95%
- Protection class : cl. II
- IP : 30
- Colour : White RAL 9003



B - AUTOMATIC REMOTE CONTROLS

- **Type RCC 10 - code 70250051 and type RCC 20 - code 70250052.**
- Selection of the operating mode is done **automatically**.
- **For the 2-pipe units** capable of heating and cooling operation, a change-over sensor must be connected (accessory, code 70250053) to the installation on the water piping. This change-over sensor can be replaced by a potential-free contact (not supplied), the closing of which causes changeover to cooling mode.
- There is a possibility to connect a remote air temperature sensor, bare (accessory, code 70250053) or box mounted (accessory, code 70250054).
- Permanent or slaved ventilation.
- Mode change is possible (Eco or Stand-by) by an external potential-free contact (not supplied).

• Technology	: electronic.
• Power supply	: 230 Vac
• Set-point adjustment range: 8 / 30°C (possibility of mechanical limitation by jumpers on the knob)	
• "On-Off" action	
• Heating differential	: adjustable 1 or 4 ^K
• Cooling differential	: adjustable 0.5 or 2 ^K
• Neutral zone (on RCC 20)	: adjustable 2 or 5 ^K
• Setpoint in "Eco" mode	: 16°C in heating mode 28°C in cooling mode
• Setpoint in "Standby"	: 8°C in heating mode
• Operating temperature	: 0 / 50°C
• Relative humidity	: < 95%
• Protection class	: cl. II
• IP	: 30
• Colour	: White RAL 9003

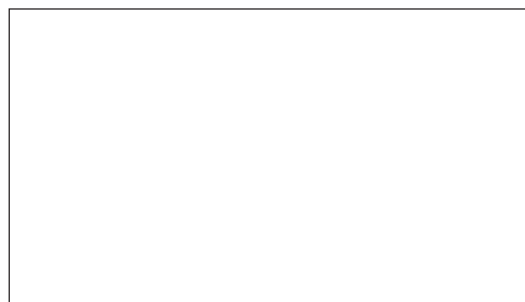


C - TEMPERATURE SENSOR (BARE)

- Code **70250053**.
- For RCC type remote control.
- Use:
 - change over sensor (equipped with a tube retaining clip) for "2-tube" appliances may operate in heating and cooling mode.
- Thermistance type CTN 3 kΩ at 25°C.
- IP 65 - protection class: cl. II.

D - BOX-MOUNTED AIR TEMPERATURE SENSOR

- Code **70250054**.
- For RCC remote controls.
- Enables the control unit to be placed outside the room to be air conditioned.
- Thermistance type CTN 3 kΩ at 25°C.
- The unit is mounted in a box similar to the remote control (IP 30 - protection class: cl. II - colour: white RAL 9003).



Due to our policy of continuous development, our products are liable to modification without notice.

Technibel

R.D. 28 Reyrieux BP 131 01601 Trévoux CEDEX France
Phone 33 4 74 00 92 92 - Fax 33 4 74 00 42 000
R.C.S. Bourg-en-Bresse B 759 200 728